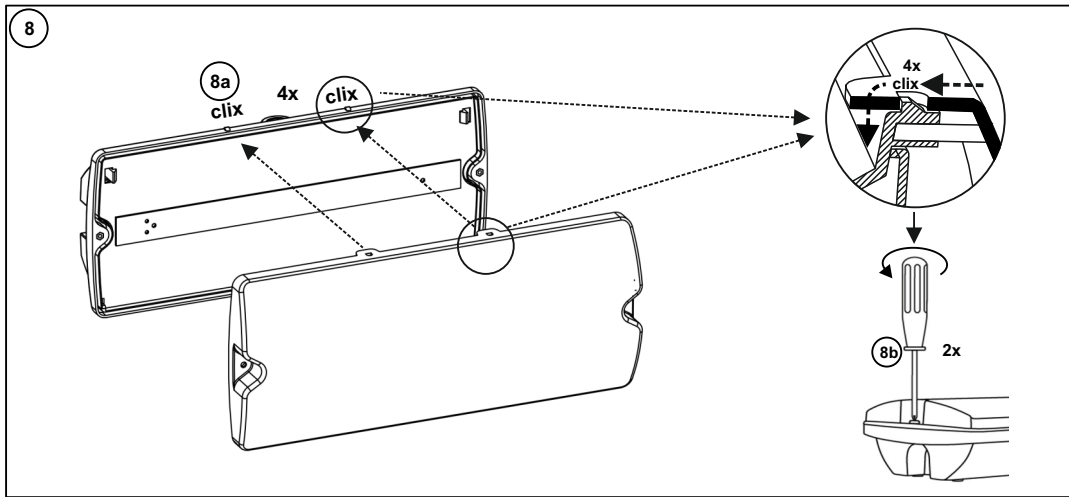


THORN



VOYAGER SOLID



VOYAGER SOLID L

i E3: Manual/ Manueller Test

TEST Monthly/ Monatlich : 1 min
Annually/ Jährlich : Rated duration/ Nenndauer

i E3T: Automatic Test/ Automatischer Test

Manueller/ Manual start

Functionstest/ Funktionstest : Weekly/ Wöchentlich
Duration Test/ Dauertest : Annually/ Jährlich

Green Led/ Grün Led	Red Led/ Rot led
System OK Alles OK	Led Module Failure Ledmodulfehler
Function Test Funktionstest	Battery Failure Batteriefehler
Duration Test Dauertest	Emergency Mode Notlichtmodus

i E3D/E3BC/HPE3D/HPE3BC: Automatic Test/ Automatischer Test

Manueller/ Manual start

Function Test/ Funktionstest : Weekly/ Wöchentlich
Duration Test/ Dauertest : Annually/ Jährlich

Green Led/ Grün Led	Red Led/ Rot led
System OK Alles OK	Led Module Failure Ledmodulfehler
Function Test Funktionstest	Battery Failure Batteriefehler
Duration Test Dauertest	Ladefehler Charging failure
Sperrmodus Inhibit Mode	Emergency Mode Notlichtmodus
Address identification mode (Green/ Red) Adressidentifikation (Grün/ Rot)	

Battery Exchange

9 If the backup does not extend to the declared duration, the battery has to be replaced.

2a, **9a**, **9b**, **9d**

5 YYY.Y.MM

E3/E3T: 3.6V, 1.5Ah, Ni-CD (59009286)
E3D/E3BC: 3.6V, 2.2Ah, Ni-MH (59009287)
HP E3D/ HP E3BC: 7.2V, 4.0Ah, Ni-MH (59011596)

EN Instructions for installation and operation!

The installation and commissioning of the luminaire as well as any modification to the luminaire may only be performed by authorized personnel (qualified electrician). National installation regulations must be observed. Before any work on the appliance is done, it must be disconnected from mains. Hot plug-in is not an option and may cause damage to the lamp or luminaire!

DE Hinweise für die Montage und den Betrieb!

Die Montage und Inbetriebnahme der Leuchte sowie jede Veränderung an der Leuchte darf nur von autorisierten Fachkräften (qualifizierter Elektriker) durchgeführt werden. Die nationalen Errichterbestimmungen sind zu beachten. Vor jeder Arbeit an der Leuchte ist diese vom Netz zu trennen. Hot Plug-In ist nicht möglich und kann zu Schäden an der Leuchte führen!

i

LED

MAN THORN SOLID 2332



NAME	SPECIFICATIONS/ SPEZIFIKATIONEN
VOYAGER SOLID MS E3-S WH	23m, 3H, Manual test/ Manueller test
VOYAGER SOLID MS E3T-S WH	23m, 3H, AutoTest,
VOYAGER SOLID MS E3D-S WH	23m, 3H, DALI
VOYAGER SOLID MS E3BC WH	23m, 3H, basicDim Wireless (Casambi)
VOYAGER SOLID L MS E3-S WH	26m, 3H, Manual test/ Manueller test
VOYAGER SOLID L MS E3T-S WH	26m, 3H, AutoTest
VOYAGER SOLID L MS E3D-S WH	26m, 3H, DALI
VOYAGER SOLID L MS E3BC WH	26m, 3H, basicDim Wireless (Casambi)
VOYAGER SOLID MS ECD WH	23m, CENTRAL, 220-240V AC/DC DALI
VOYAGER SOLID P MS ECP WH	23m, CENTRAL, 220-240V AC/DC ECP
VOYAGER SOLID P MS ELP WH	23m, CENTRAL, 48V DC ELP
VOYAGER SOLID MS ECC WH	23m, CENTRAL, 220-240V AC/DC ECC
VOYAGER SOLID L MS ECD WH	26m, CENTRAL, 220-240V AC/DC DALI
VOYAGER SOLID L P MS ECP WH	26m, CENTRAL, 220-240V AC/DC ECP
VOYAGER SOLID L P MS ELP WH	26m, CENTRAL, 48V DC ELP
VOYAGER SOLID L MS ECC WH	26m, CENTRAL, 220-240V AC/DC ECC
VOYAGER SOLID L P MS HP E3D WH	26m, 3H, DALI
VOYAGER SOLID L MS HP E3BC WH	26m, 3H, basicDim Wireless (Casambi)
VOYAGER SOLID L MS HP ECD WH	26m, CENTRAL, 220-240V AC/DC, DALI
VOYAGER SOLID L P MS HP ECP WH	26m, CENTRAL, 220-240V AC/DC, ECP

EN Mounting instructions
Important notices. Please, read first! Keep the instructions safe! Specifications are subject to change without notice! If you have questions, please contact the manufacturer.

DE Montageanleitung
Wichtige Hinweise. Bitte zuerst lesen! Anleitung aufbewahren! Technische Änderungen vorbehalten! Bei Fragen wenden Sie sich an den Hersteller.

1

5mm
PH2

BC (Bluetooth® CASAMBI)

Website
www.tridonic.com/basicdim-wireless

Handbook
EN DE

Planning Notes
Wireless

2

4x
2a
2b

4d

220-240V
50/60Hz

E3BC

Stand Alone

Maintained
Factory Set

Non-maintained

Connected to wireless system

Maintained/ Non-maintained setting via bDW system

4e

220-240V
50/60Hz

HP E3BC

Stand Alone

OUT

Maintained (Jumper IN) (*) factory Set

Non-maintained (Jumper OUT)

Connected to wireless system

Maintained/ Non-maintained setting via bDW system

4f

220-240V
0/50/60Hz

ECD / HP ECD

Maintained/ Non-maintained setting via DALI system

3

Wall / Wand Ceiling / Decke

Ø18 PG11
Ø6x35
Solid : 200mm
Solid L : 250mm

3a
3b1
3b2
3c1
3c2
3d1
3d2
3e1
3f
h:2-3m
h:2-3m

4g

220-240V
0/50/60Hz

HP ECP/ ECP

AC / DC

Maintained/ Non-maintained setting via eBox system (Powerline)

4h

48V DC

ELP

48V DC

Maintained/ Non-maintained setting via nBox system (Powerline)

4i

220-240V
0/50/60Hz

ECC

AC / DC

Only Maintained

5

E3, E3T, E3D, E3BC, HP E3D, HP E3BC

5a
YYYY-MM
5b

i

8-9mm
0,75 -2,5mm²
Solid/ stranded wires
max cable diameter Ø11

i

Up to 2 x 2.5 mm² per connector pole

4a

220-240V
50/60Hz

E3/E3T

Stand Alone

Maintained
Factory Set

Non-maintained

Switchable maintained

4b

220-240V
50/60Hz

E3D

Stand Alone

Maintained
Factory Set

Non-maintained

Switchable maintained

Connected to DALI

Maintained/ Non-maintained setting via DALI system

4c

220-240V
50/60Hz

HP E3D

Stand Alone

Connected to DALI

Maintained/ Non-maintained setting via DALI system

OUT

Maintained (Jumper IN) (*) factory Set

Non-maintained (Jumper OUT)

6

Supply

X: Self-Contained Version
Z: Central Battery Version

Duration
180: 3H
*: CENTRAL

Mode of Operation

0: Non-maintained
1: Maintained

Mode	Lighting	Test Device
0	● →	⊗
1	⊗ →	⊗

Facilities

A: Including test device
B: Including rest mode
C: Including inhibit mode
D: High risk task area luminaire
E: With non-replaceable lamp or battery
F: Automatic test facility
G: Safety sign

XZ 0 1 A B C D E F G 180 / *

7

Option for E3/ E3T/ E3D/ ECD/ ECP/ ELP/ ECC
Not for HP types

(4x)
Voyager Solid
96634866
Voyager Solid L
96629768

XZ 1 A B C D E F G 180 / *