

E7740020 / 92927536 PLD F 18L70 740 R/S BS 3550 T60 CL2 ->

|                |  |  |      |  |      |  |  |  |  |                   |
|----------------|--|--|------|--|------|--|--|--|--|-------------------|
| ISO 9223<br>C5 |  |  | IP66 |  | IK08 |  |  |  |  | T <sub>a</sub> 25 |
|----------------|--|--|------|--|------|--|--|--|--|-------------------|

## Plurio

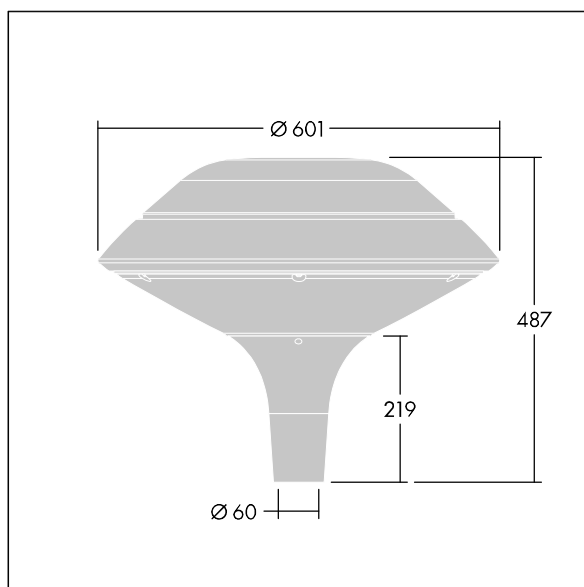
Plurio Direct: A decorative post-top LED lantern with radially symmetric distribution. LED driver with 18 LEDs driven at 700mA. Class II electrical, IP66, IK08. Base: cast aluminium, powder coated silver-grey. Canopy: flat shape, aluminium, textured silver-grey. Diffuser: UV stabilised, clear polycarbonate with anti-glare prisms. Direct, lens based optic with internal reflector. Equipped with 50% power reduction circuit, effective 3 hours before and 5 hours after a calculated midnight. It can be deactivated at installation with an easily accessible internal switch. Complete with 4000K LED. Post top mounting to Ø60mm column. Pre-wired with 4m cable.

Upward lighting emissions below 1%.

Dimensions: Ø601 x 487 mm  
 Luminaire input power: 38.9 W  
 Luminaire luminous flux: 5001 lm  
 Luminaire efficacy: 129 lm/W  
 Weight: 7.7 kg  
 Scx: 0.167 m<sup>2</sup>



TLG\_PLRL\_F\_DFC\_GY.jpg



TLG\_PLRL\_M\_DFC\_T60.wmf

This product contains a light source of energy efficiency class D.

**Plurio**

**E7740020 / 92927536 PLD F 18L70 740 R/S BS 3550 T60 CL2 ->**

**THORN**