

# Avenue F2

# THORN

E7753631 / 96260102 AVF 18L70 740 WST CL BS 3550 CL2 N4M ->



## Avenue F2

Decorative post-top lantern with street distribution. Equipped with 50% power reduction circuit, effective 3 hours before and 5 hours after a calculated midnight. It can be deactivated at installation with an easily accessible internal switch. Class II electrical, IP66, IK08. Base and arms: die-cast aluminium (EN AC-46000), Canopy: spun aluminium, all powder coated dark sandy grey 900 (close to RAL7043). Diffuser: clear polycarbonate. Screw fixings: stainless steel. Supplied complete in one box, pre-wired with 4m HO5 VVF cable. Surge protection: 10kV single pulse common mode and 8kV multipulse common mode and 6kV multipulse differential mode. If permanent DALI system is connected, 6kV multipulse common and differential mode. Complete with 4000K LED

Post top mounted on a spigot of  $\varnothing 60\text{mm}$ , length 100mm.

Dimensions:  $\varnothing 700/720 \times 500 \text{ mm}$

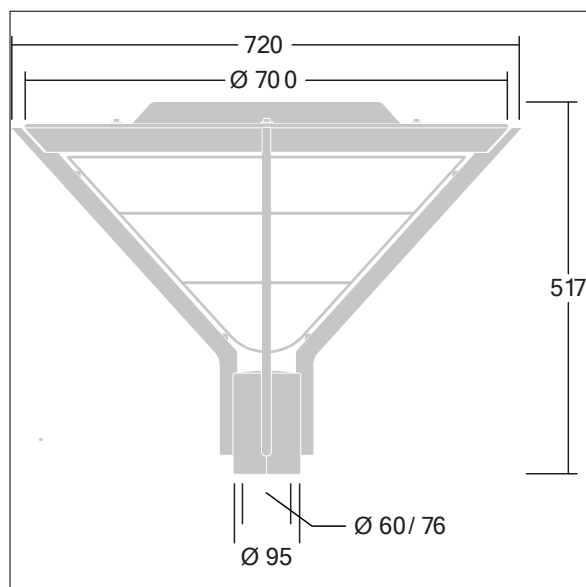
Luminaire input power: 40 W

Weight: 9.7 kg

Scx: 0.17 m<sup>2</sup>



TLG\_AVNF\_F\_3\_AR2\_1700.jpg



TLG\_AVNF\_M\_LD1.wmf

All values marked with an \* are rated values. Thorn uses tried and tested components from leading suppliers, however there may be isolated instances of technology-related failures of individual LEDs during the rated product lifetime. International standards set the tolerance in initial flux and connected load at  $\pm 10\%$ . Unless stated otherwise, the values apply to an ambient temperature of 25°C.

Thorn Lighting is constantly developing and improving its products. The right is reserved to change specifications without prior notification or public announcement.  
© Thorn Lighting

## Avenue F2

E7753631 / 96260102 AVF 18L70 740 WST CL BS 3550 CL2 N4M ->

THORN