

# Linn

## 96264339 LINN RCT BOLLARD GROUND BASE

THORN

### Linn

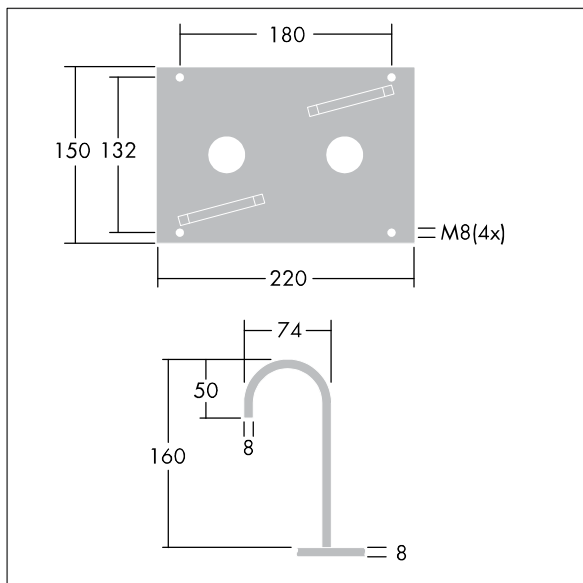
Galvanised iron flange for mounting of Linn bollard where concrete base is not pre-existing.

Dimensions: 220 x 150 x 160 mm

Weight: 2.5 kg



TLG\_LINN\_F\_FLANGE.jpg



TLG\_LINN\_M\_LDFLANGE.wmf