

EP 145

96269256 EP 145 LED 36L70 NR 740 RCU/MTP



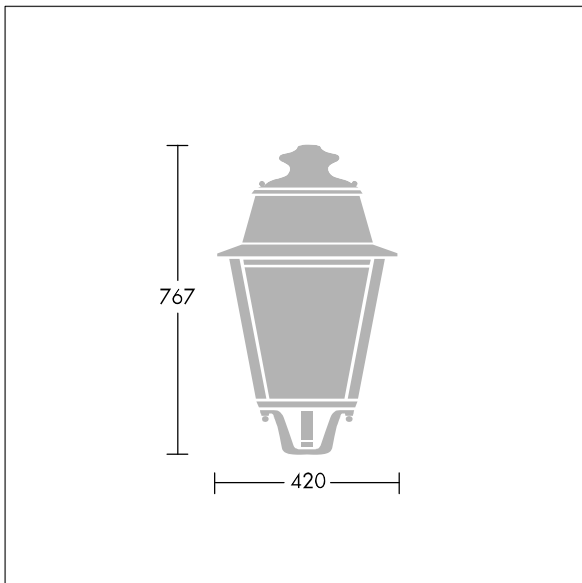
EP 145

A 19th Century styled post top lantern with 36 LEDs driven at 700mA with Narrow Road optic. Class II electrical, IP66, IK08. Body: copper, treated. Canopy: GRP/Polyester, copper finish. Enclosure: 5mm thick tempered glass. Complete with 4000K LED

Dimensions: 420 x 420 x 767 mm
 Luminaire input power: 77 W
 Weight: 10.1 kg
 Scx: 0.145 m²



TLG_EP14_F_LEDMTPCOPPDB.jpg



TLG_EPLS_M_LD1.wmf

This product contains a light source of energy efficiency class D.