

EP 145

96269243 EP 145 LED 24L50 NR 740 RCU/MSU



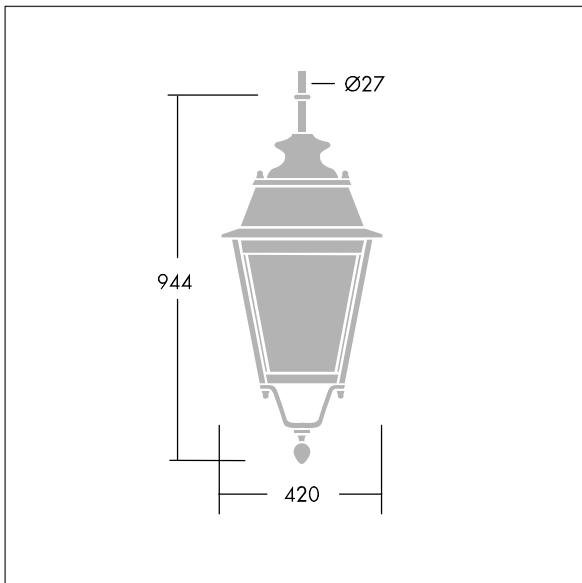
EP 145

A 19th Century styled suspended lantern with 24 LEDs driven at 500mA with Narrow Road optic. Class II electrical, IP66, IK08. Body: copper, treated. Canopy: GRP/Polyester, copper finish. Enclosure: 5mm thick tempered glass. Complete with 4000K LED

Dimensions: 420 x 420 x 944 mm
 Luminaire input power: 38 W
 Weight: 11.8 kg
 Scx: 0.145 m²



TLG_EP14_F_LEDMSUCOPPDB.jpg



TLG_EPLS_M_LD2.wmf

This product contains a light source of energy efficiency class D.

EP 145

96269243 EP 145 LED 24L50 NR 740 RCU/MSU

THORN