



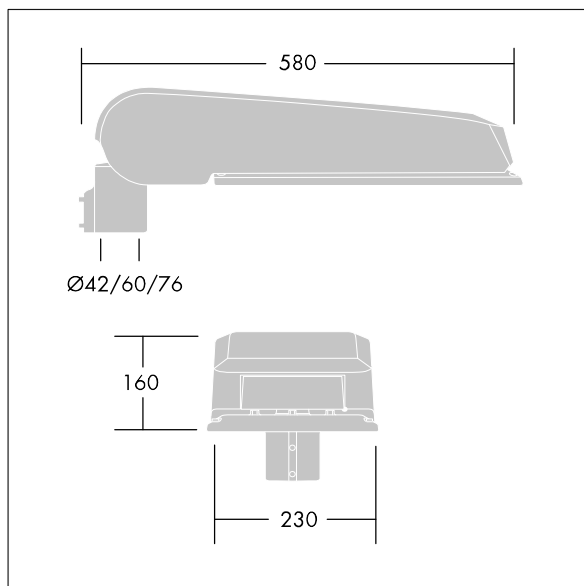
### CivITEQ

A large size LED road lighting lantern with 60 LEDs driven at 700mA with Pedestrian Crossing optic. Electronic, fixed output control gear. Class II electrical, IP66, IK08. Housing: die-cast aluminium (EN AC-44300), Light grey 150 sanded textured (close to RAL9006). Enclosure: toughened flat glass. Screws: stainless steel, Ecolubric® treated. Supplied with Ø60mm spigot adaptor which can be fitted for post-top (0°/5°/10° tilt) or side-entry (-20°/-15°/-10°/-5°/0° tilt). Complete with 4000K LED. Surge protection: 10kV single pulse common mode and 8kV multipulse common mode and 6kV multipulse differential mode. If permanent DALI system is connected, 6kV multipulse common and differential mode.

Dimensions: 580 x 230 x 160 mm  
 Luminaire input power: 125 W  
 Luminaire luminous flux: 18685 lm  
 Luminaire efficacy: 149 lm/W  
 Weight: 9.6 kg  
 Scx: 0.115 m<sup>2</sup>



TLG\_CTEQ\_F\_LMTP72LEDPDB.jpg



TLG\_CETQ\_M\_L.wmf

This product contains light sources of energy efficiency classes D, E.