

# EyeKon LED

THORN

96665892 EYE CR LED1000-840 HF E3 L ANT

EN 55015	IP65	IK10	⊕	CE			850°C	T <sub>a</sub> 0 +25
-------------	------	------	---	----	--	--	-------	-------------------------

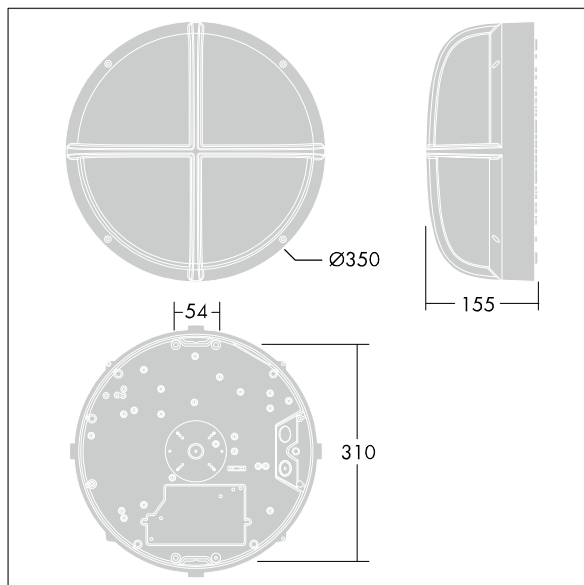
## EyeKon LED

Round, impact resistant LED bulkhead luminaire.  
Electronic, fixed output control gear with 3 hour, manual test, emergency lighting circuit. Class I electrical, IP65, IK10. Body: large size, die-cast aluminium (LM6), powder coated anthracite. Diffuser: opal polycarbonate with die-cast aluminium cross feature. Electrical connection via 4 x 2 x 2.5mm<sup>2</sup> terminal block. Complete with 4000K LED

Dimensions: Ø340 x 155 mm  
Luminaire input power: 11 W  
Weight: 3.8 kg



TLG\_EYKN\_F\_LGCRSANTHOP.jpg



TLG\_EYKN\_M\_LGE.wmf

This product contains a light source of energy efficiency class C.

All values marked with an \* are rated values. Thorn uses tried and tested components from leading suppliers, however there may be isolated instances of technology-related failures of individual LEDs during the rated product lifetime. International standards set the tolerance in initial flux and connected load at ±10%. Unless stated otherwise, the values apply to an ambient temperature of 25°C.

Thorn Lighting is constantly developing and improving its products. The right is reserved to change specifications without prior notification or public announcement.  
© Thorn Lighting

# EyeKon LED

96665892 EYE CR LED1000-840 HF E3 L ANT

THORN