

# Thor

# THORN

96630287 TR 24L105 740 NR-S BS 3550 CL2 FD MCA ->

|                |   |      |      |   |   |   |                   |
|----------------|---|------|------|---|---|---|-------------------|
| ISO 9223<br>C5 |  | IP66 | IK10 |  |  |  | T <sub>a</sub> 25 |
|----------------|---|------|------|---|---|---|-------------------|

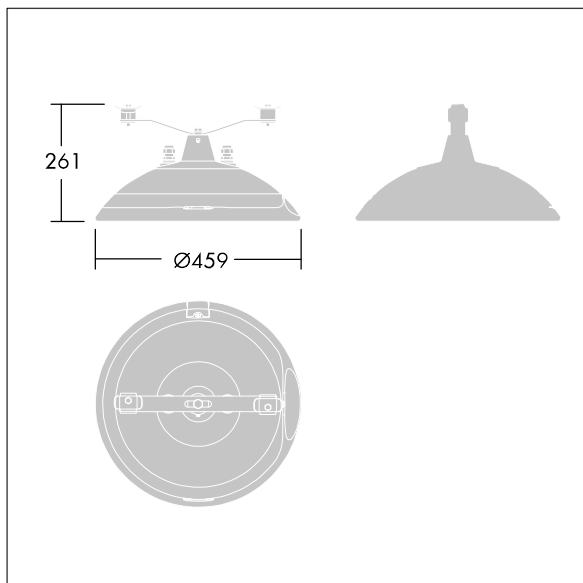
## Thor

A small size, smart urban LED lantern with 24 LEDs driven at 1,05A with narrow road symmetrical optic and die-cast aluminium EN AC 47100 + CAT dome with anthracite finish (close to RAL7043). Class II electrical, IP66, IK10. Body: die-cast aluminium (EN AC 46100) treated against corrosion, powder coated anthracite (close to RAL7043). Enclosure: 6mm toughened flat glass. Screws and closing set: stainless steel. Catenary mounted Equipped with 50% power reduction circuit, effective 3 hours before and 5 hours after a calculated midnight. It can be deactivated at installation with an easily accessible internal switch. Complete with 4000K LED.

Dimensions: Ø459 x 261 mm  
Luminaire input power: 79 W  
Luminaire luminous flux: 10183 lm  
Luminaire efficacy: 129 lm/W  
Weight: 8.6 kg  
Scx: 0.035 m<sup>2</sup>



TLG\_THOR\_F\_SMCA.jpg



TLG\_THOR\_M\_MCA.wmf

This product contains a light source of energy efficiency class D.

All values marked with an \* are rated values. Thorn uses tried and tested components from leading suppliers, however there may be isolated instances of technology-related failures of individual LEDs during the rated product lifetime. International standards set the tolerance in initial flux and connected load at ±10%. Unless stated otherwise, the values apply to an ambient temperature of 25°C.

Thorn Lighting is constantly developing and improving its products. The right is reserved to change specifications without prior notification or public announcement.  
© Thorn Lighting

**Thor**

**96630287 TR 24L105 740 NR-S BS 3550 CL2 FD MCA ->**

**THORN**