

96631327 KAT RD 1000-840 COR MWS



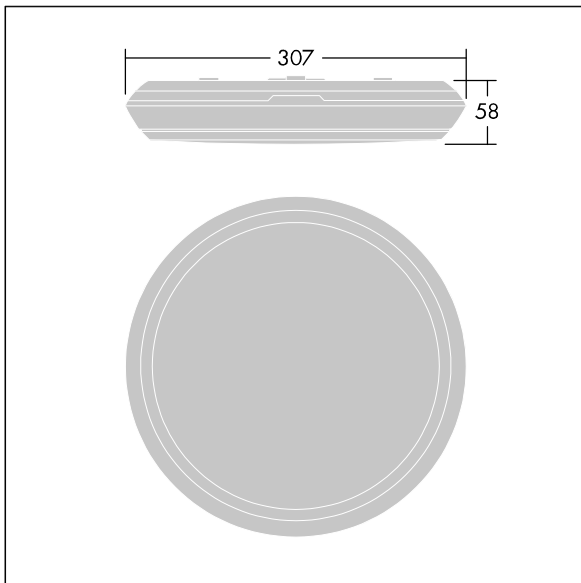
Katona

A very slim, round functional LED luminaire. Fixed output LED driver. Body: polycarbonate. Diffuser: opal polycarbonate. Class II electrical, IP65, IK10. With integral motion sensor for corridor function control (master). Complete with 4000K LED. Suitable for direct mounting to wall or ceiling. Loop-in, loop-out is possible for cables up to 2.5mm². BESA compatible.

Dimensions: Ø307 x 58 mm
 Luminaire input power: 8.3 W
 Luminaire luminous flux: 950 lm
 Luminaire efficacy: 114 lm/W
 Weight: 1.09 kg



TLG_KATO_F_RD_PDB.jpg



TLG_KATO_M_RD_LDS.wmf

This product contains a light source of energy efficiency class C.

Katona

96631327 KAT RD 1000-840 COR MWS

THORN