

# Chalice 74

# THORN

96631506 CHAL 74 LED900-840 WFL IP65 WHM

RoHS	T <sub>a</sub> 0 +40	IP <sub>20</sub> 65	IK04		CE			650°C
------	-------------------------	------------------------	------	--	----	--	--	-------

## Chalice 74

A ceiling recessed, fire-rated, LED downlight. Integral LED driver, suitable for use with leading edge dimmer switches. IP65 (IP20 from above), IK04, Class II electrical. Supplied with wide flood (48°) PMMA lens and matt die-cast aluminium bezel. Body: steel with aluminium heatsink. Spring clips make the product suitable for tool-free mounting in ceiling thicknesses of 1-25mm in a Ø74-80mm cutout. Tool-free wiring with a fully detachable connector and push-fit terminal block enabling loop-in/loop-out. Complete with 4000K LED. Fully fire rated for 30, 60 and 90 minute ceilings.

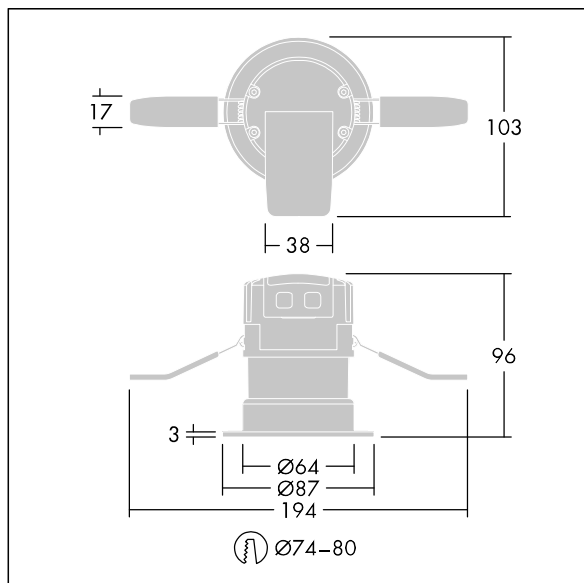
Adaptable light distribution by exchanging the WFL (48°) lens with either FL (31°) or WW (wallwash optic) - available as accessories.

Adaptable aesthetics by exchanging the WHM (matt white) bezel with either WH (gloss white), BKM (matt black), CR (chrome) or AL (brushed aluminium) - available as accessories.

Dimensions: Ø87 x 77 mm  
Luminaire input power: 9.4 W  
Luminaire luminous flux: 950 lm  
Luminaire efficacy: 101 lm/W  
Weight: 0.4 kg



TLG\_CHLC\_F\_74PDB.jpg



TLG\_CH74\_M\_LDHO.wmf

This product contains a light source of energy efficiency class E.

All values marked with an \* are rated values. Thorn uses tried and tested components from leading suppliers, however there may be isolated instances of technology-related failures of individual LEDs during the rated product lifetime. International standards set the tolerance in initial flux and connected load at ±10%. Unless stated otherwise, the values apply to an ambient temperature of 25°C.

Thorn Lighting is constantly developing and improving its products. The right is reserved to change specifications without prior notification or public announcement.  
© Thorn Lighting

# Chalice 74

96631506 CHAL 74 LED900-840 WFL IP65 WHM

THORN