

## R2L2

96630721 RX 12L35-740 NR BS 3550 CL2 ANT

|                |      |      |  |  |  |  |  |                   |
|----------------|------|------|--|--|--|--|--|-------------------|
| ISO 9223<br>C5 | IP66 | IK09 |  |  |  |  |  | T <sub>a</sub> 25 |
|----------------|------|------|--|--|--|--|--|-------------------|

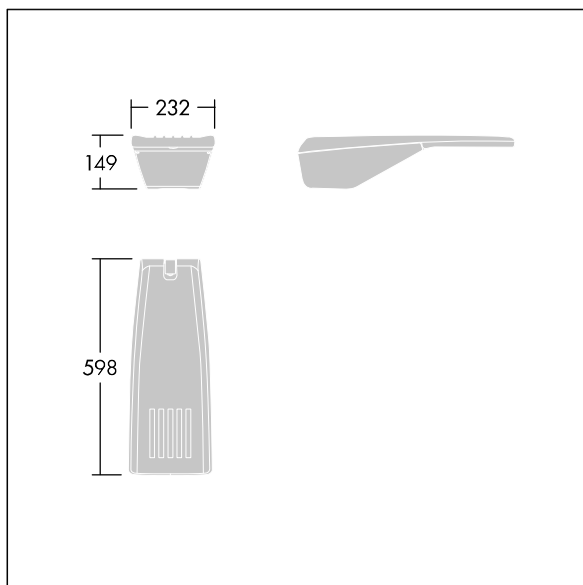
### R2L2

An extra small size LED road lighting lantern with 12 LEDs driven at 350mA with Narrow Road optic. Programmable LED driver. Class II electrical, IP66, IK09. Housing: die-cast aluminium (EN AC-44300), powder coated textured anthracite (close to RAL7043). Enclosure: tempered glass. Screws: stainless steel, Ecolubric® treated. Post top (Ø60/76mm, tilted 0°/5°/10°) or lateral (Ø34/42/49/60mm, tilted 0°/-5°/-10°/-15°) mounting. For lateral mounting to Ø34/42mm spigots an adaptor (59005840 R2L2 MA34/42 NPA) should be ordered separately. Equipped with 50% power reduction circuit, effective 3 hours before and 5 hours after a calculated midnight. It can be deactivated at installation with an easily accessible internal switch. Complete with 4000K LED.

Dimensions: 598 x 232 x 149 mm  
 Luminaire input power: 13.8 W  
 Luminaire luminous flux: 2174 lm  
 Luminaire efficacy: 158 lm/W  
 Weight: 7.4 kg  
 Scx: 0.05 m<sup>2</sup>



TLG\_R2L2\_F\_XS\_MTP\_PDBANT.jpg



TLG\_R2L2\_M\_LDXS.wmf

This product contains a light source of energy efficiency class D.

All values marked with an \* are rated values. Thorn uses tried and tested components from leading suppliers, however there may be isolated instances of technology-related failures of individual LEDs during the rated product lifetime. International standards set the tolerance in initial flux and connected load at ±10%. Unless stated otherwise, the values apply to an ambient temperature of 25°C.