

# Victor

# THORN

96276859 VIC1 12L35-740 NR BP 3550 HFX CL2 ->



## Victor

A small size LED road and street luminaire, in a modern and timeless design. 12 LEDs driven at 350mA with Narrow Road optic. DALI dimmable LED driver. Class II electrical, IP66. Body in aluminium, powder coated Traffic white RAL9016. Enclosure: toughened flat glass. Luminaire to be suspended using brackets (Ø27G), post top, or wall mounted. Tool-free electrical connection via 2 x 2.5 mm<sup>2</sup> terminal block. Equipped with 50% power reduction circuit, effective 3 hours before and 5 hours after a calculated midnight. Pre-wired with 8m, 4 core cable. Complete with 4000K LED

Dimensions: Ø363 x 277 mm

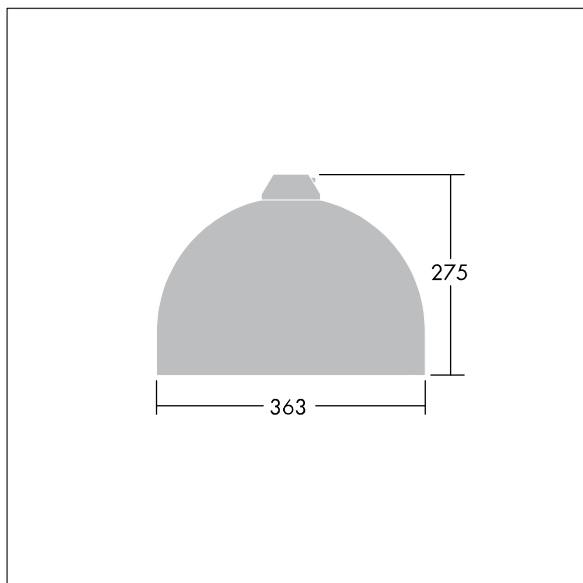
Luminaire input power: 15 W

Weight: 5.5 kg

Scx: 0.084 m<sup>2</sup>



TLG\_VCTR\_F\_65PDB.jpg



TLG\_VCTR\_M\_SWLD1.wmf

This product contains a light source of energy efficiency class D.

All values marked with an \* are rated values. Thorn uses tried and tested components from leading suppliers, however there may be isolated instances of technology-related failures of individual LEDs during the rated product lifetime. International standards set the tolerance in initial flux and connected load at ±10%. Unless stated otherwise, the values apply to an ambient temperature of 25°C.

Thorn Lighting is constantly developing and improving its products. The right is reserved to change specifications without prior notification or public announcement.  
© Thorn Lighting

**Victor**

**96276859 VIC1 12L35-740 NR BP 3550 HFX CL2 ->**

**THORN**