

Voyager Star

96633231 VOYAGER STAR P KIT SPOT ECD

THORN



Voyager Star

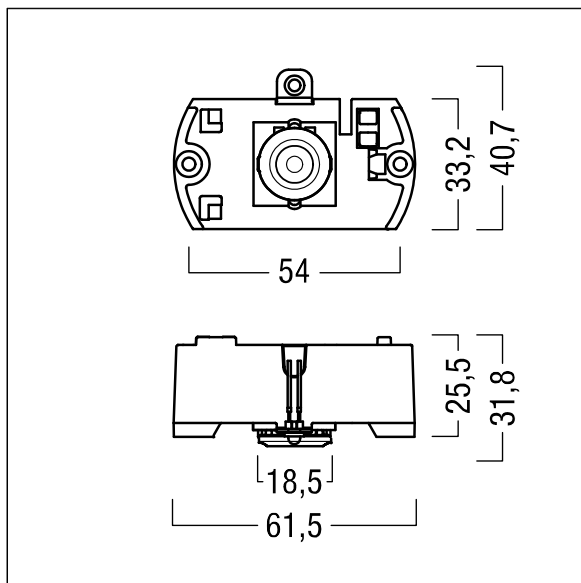
High performance, LED emergency lighting kit for incorporation into a suitable housing (not supplied), Luminaire for central emergency light supply, for single luminaire monitoring via DALI (DALI-2 certified), settable emergency light level with optic. Luminaire in maintained mode. Lens: polycarbonate. Optimum thermal management via heat sink. Voltage supply: 220-240 V AC (+/- 10%) 50-60 Hz; 176-280 V DC Complete with LEDs..

Luminaire input power: 3.7 W

Weight: 0.2 kg



TLG_VSTR_F_KIT_ECC_SPOT.jpg



ZS_ONL_M_RESC_spot_optik.wmf

All values marked with an * are rated values. Thorn uses tried and tested components from leading suppliers, however there may be isolated instances of technology-related failures of individual LEDs during the rated product lifetime. International standards set the tolerance in initial flux and connected load at $\pm 10\%$. Unless stated otherwise, the values apply to an ambient temperature of 25°C.

Thorn Lighting is constantly developing and improving its products. The right is reserved to change specifications without prior notification or public announcement.
© Thorn Lighting