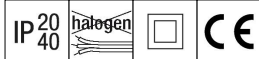


# Voyager Star

THORN

96633248 VOYAGER STAR P MRCR ESC ECP SR



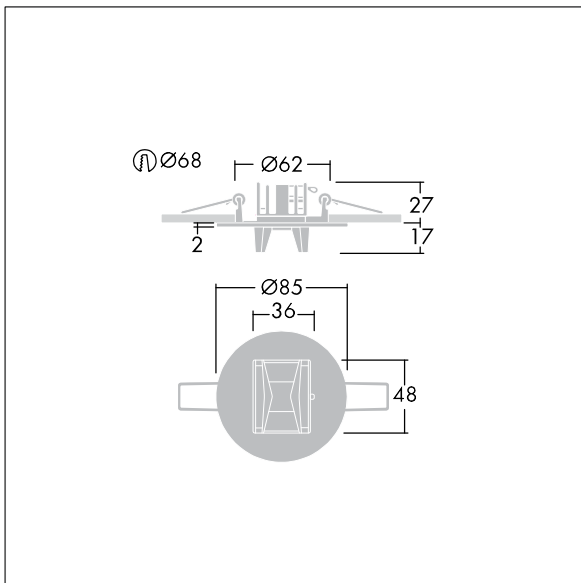
## Voyager Star

High performance, ceiling recessed LED emergency lighting luminaire, Luminaire for central emergency light supply, for single monitoring of the luminaire via Powerline in connection with the eBox System, settable emergency light level with optic. Luminaire in maintained mode. Housing: die-cast aluminium, powder coated silver grey (close to RAL 9006). Gear box for mounting in ceiling recess: IP20\_IP40, Ceiling recessed luminaire for 68 mm ceiling cut-out and ceiling thickness from 1 - 25 mm. Lens: polycarbonate. Luminaire can be installed quickly and maintained without tools. Electrical connection (230VAC) via maximum 2.5mm<sup>2</sup> cable, loop in - loop out possible. Optimum thermal management via heat sink. Maintained mode: -30°C to +30°C, non-maintained mode: -30°C to +35°C; power supply: 220-240 V AC (+/- 10%) 50-60 Hz; 176-280 V DC Suitable for recessed installation in concrete casting surround (please order separately). Complete with LEDs.. Ceiling cutout Ø68mm in ceiling thicknesses 1-25mm.

Luminaire input power: 3.6 W  
Dimensions: Ø85 x 2 mm  
Weight: 0.45 kg



TLG\_VSTR\_F\_MRCR\_ECx\_ESC\_SR.jpg



TLG\_VYLD\_M\_MRE ROUTE.wmf

All values marked with an \* are rated values. Thorn uses tried and tested components from leading suppliers, however there may be isolated instances of technology-related failures of individual LEDs during the rated product lifetime. International standards set the tolerance in initial flux and connected load at ±10%. Unless stated otherwise, the values apply to an ambient temperature of 25°C.

Thorn Lighting is constantly developing and improving its products. The right is reserved to change specifications without prior notification or public announcement.  
© Thorn Lighting

# Voyager Star

96633248 VOYAGER STAR P MRCR ESC ECP SR

THORN