

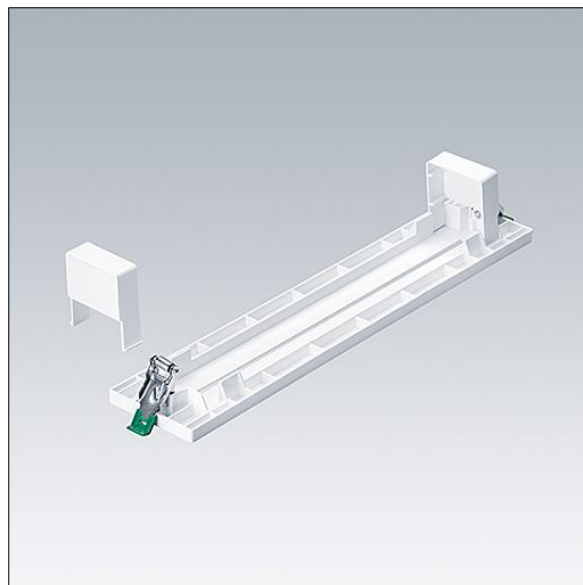
# Voyager Blade 2

96633310 VOYAGER BLADE 2 FSR WH

THORN

## Voyager Blade 2

Frame to adapt VOYAGER BLADE 2 surface mounted luminaire to recessed version. Mounting of frame without tools



TLG\_VYB2\_F\_FSR.jpg