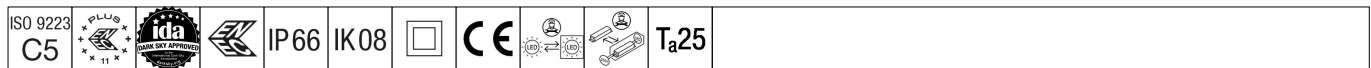


E7748629 / 92916460 PLI F 24L35-722 R/S BS 3550 T60 CL2 ->



## Plurio

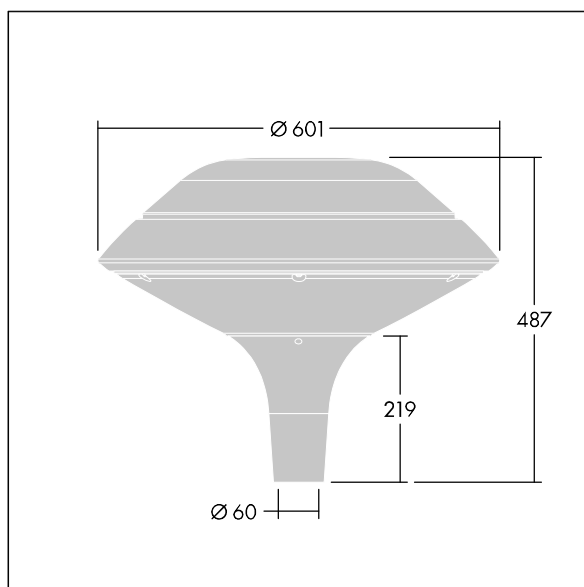
Plurio Indirect: A decorative post-top LED lantern with radially symmetric distribution. LED driver with 24 LEDs driven at 350mA. Class II electrical, IP66, IK08. Base: cast aluminium, powder coated light grey 150 (close to RAL9006). Canopy: flat shape, aluminium, textured light grey 150 (close to RAL9006). Diffuser: UV stabilised, clear polycarbonate with anti-glare prisms. Indirect, reflector based optic. Equipped with 50% power reduction circuit, effective 3 hours before and 5 hours after a calculated midnight. It can be deactivated at installation with an easily accessible internal switch. Complete with 2200K LED. Post top mounting to Ø60mm column. Pre-wired with 4m cable.

Upward lighting emissions below 1%.

Dimensions: Ø601 x 487 mm  
 Luminaire input power: 26 W  
 Luminaire luminous flux: 2494 lm  
 Luminaire efficacy: 96 lm/W  
 Weight: 6.7 kg  
 Scx: 0.167 m<sup>2</sup>



TLG\_PLRL\_F\_IFC\_GY\_U0.jpg



TLG\_PLRL\_M\_IFC\_T60.wmf

This product contains a light source of energy efficiency class E.

**Plurio**

**E7748629 / 92916460 PLI F 24L35-722 R/S BS 3550 T60 CL2 ->**

**THORN**