

## Novaline Style

96635430 NOVS L 5000-840 DI HFI E3D WH

IEC EN 60598-1 RG 1	RoHS	UK CA	IP54		halogen	IK08		CE			850°C	T <sub>a</sub> 0 +25
---------------------------	------	----------	------	--	---------	------	--	----	--	--	-------	-------------------------

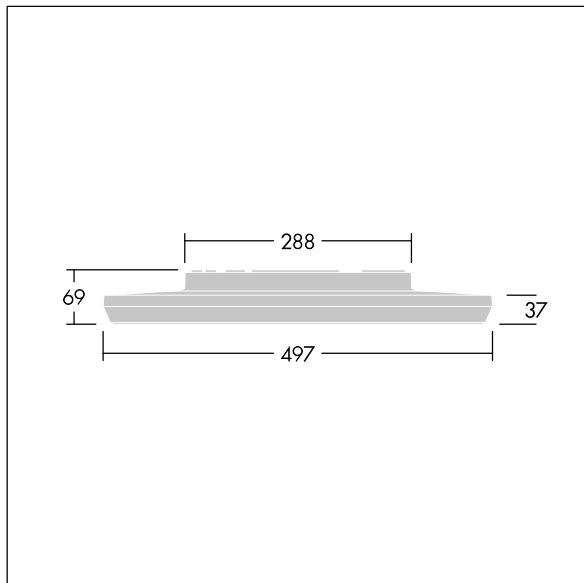
### Novaline Style

Decorative circular luminaire with large body. Low indirect component for wall and ceiling illumination. Electronic, DALI dimmable with 3 hour, Self/DALI Addressable test, emergency lighting circuit. Aesthetic trim of the luminaire made of polycarbonate in white. Diffuser: opal polycarbonate. Class II electrical, IP54. Complete with 4000K LED.

Dimensions: Ø497 x 69 mm  
 Luminaire input power: 35.2 W  
 Luminaire luminous flux: 5000 lm  
 Luminaire efficacy: 142 lm/W  
 Weight: 3.17 kg



TLG\_NOVS\_F\_5WH.jpg



TLG\_NOVS\_M\_LD500.wmf

This product contains a light source of energy efficiency class C.