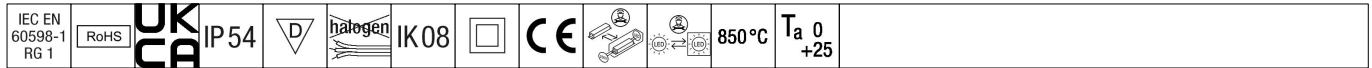


Novaline Style

96635526 NOVS S 1900-840 DI HFI E3D WH



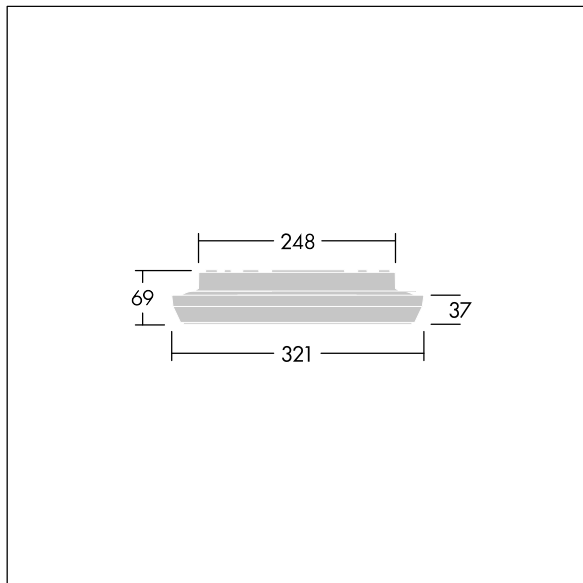
Novaline Style

Decorative circular luminaire with small body. Low indirect component for wall and ceiling illumination. Electronic, DALI dimmable with 3 hour, Self/DALI Addressable test, emergency lighting circuit. Aesthetic trim of the luminaire made of polycarbonate in white. Diffuser: opal polycarbonate. Class II electrical, IP54. Complete with 4000K LED.

Dimensions: Ø320 x 69 mm
 Luminaire input power: 13.2 W
 Luminaire luminous flux: 1900 lm
 Luminaire efficacy: 144 lm/W
 Weight: 1.96 kg



TLG_NOVS_F_3WH.jpg



TLG_NOVS_M_LD300.wmf

This product contains a light source of energy efficiency class C.

Novaline Style

96635526 NOVS S 1900-840 DI HFI E3D WH

THORN