

Novaline Style

96635532 NOVS L 4000-840 DI HFI SR

| | | | | | | | | | | | | |
|---------------------------|------|----------|------|---|---------|------|---|----|---|----|-------|---------------------------|
| IEC EN 60598-1 RG 1 | RoHS | UK CA | IP54 | D | halogen | IK08 | □ | CE | ⚡ | ⚙️ | 850°C | T _a -15 +25 |
|---------------------------|------|----------|------|---|---------|------|---|----|---|----|-------|---------------------------|

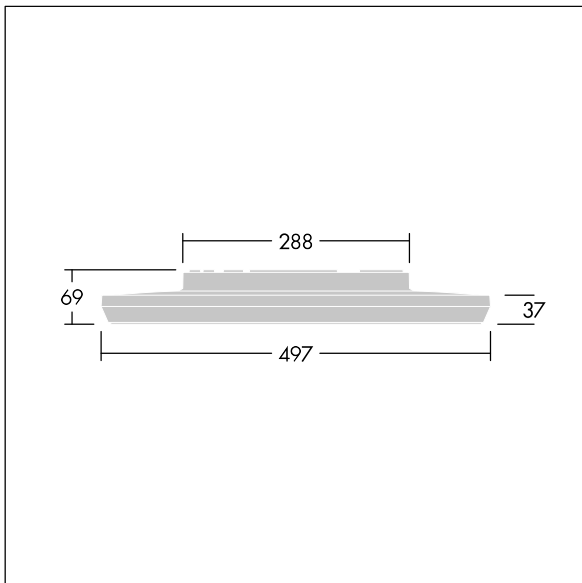
Novaline Style

Decorative circular luminaire with large body. Low indirect component for wall and ceiling illumination. Electronic, DALI dimmable. Aesthetic trim of the luminaire made of polycarbonate in silver. Diffuser: opal polycarbonate. Class II electrical, IP54. Complete with 4000K LED.

Dimensions: Ø497 x 69 mm
 Luminaire input power: 28.2 W
 Luminaire luminous flux: 4000 lm
 Luminaire efficacy: 142 lm/W
 Weight: 2.89 kg



TLG_NOVS_F_5SR.jpg



TLG_NOVS_M_LD500.wmf

This product contains a light source of energy efficiency class C.

All values marked with an * are rated values. Thorn uses tried and tested components from leading suppliers, however there may be isolated instances of technology-related failures of individual LEDs during the rated product lifetime. International standards set the tolerance in initial flux and connected load at ±10%. Unless stated otherwise, the values apply to an ambient temperature of 25°C.

Novaline Style

96635532 NOVS L 4000-840 DI HFI SR

THORN