

92945455 IS XS 12L50-730 NR2 M CLO BP3550 ZU ->

ISO 9223 C5			IP66	IK08				650°C	T _a -35 +50
----------------	--	--	------	------	--	--	--	-------	---------------------------

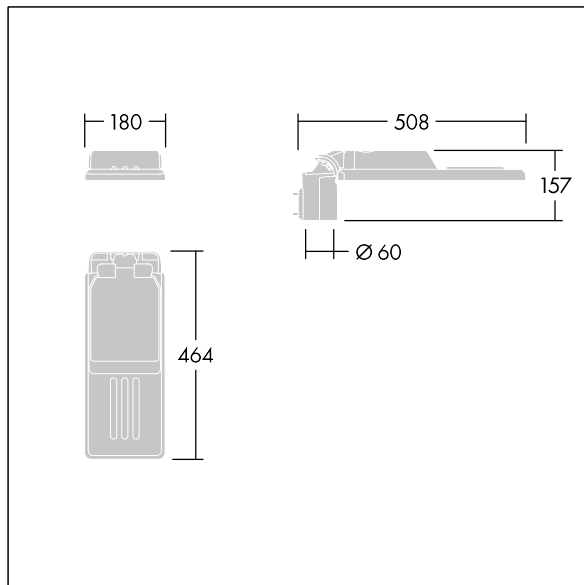
Isaro

A discrete and flexible road and street lantern with durable high performance. Programmable LED driver, set for constant light output, driving 12 LEDs at 500mA. Body: extra small size, die-cast aluminium (EN AC-44300), powder coated textured light grey 150 (close to RAL9006). Shaft: light grey 150 (close to RAL9006). Cover: Extra White glass. Fixings: stainless steel with anti-galvanic treatment. Narrow Road 2 optic, with Colour Rendering Index min.: 70, Correlated colour temperature*: 3000 Kelvin LEDs supplied. Class II electrical, Impact strength: IK08, IP66, Ta max.: 50°C. Supplied with Ø60mm spigot adaptor pre-fitted for post-top, 5° tilt. Pre-wired with 8m, 1.5mm² H07RN-F cable. Fitted with LED optic lining. BPxyzz: Autonomous bi-power reduction (x: hours before midnight, y: hours after midnight, zz: reduction (%)) equipped with Zhaga socket up.

Dimensions: 508 x 180 x 157 mm
 Luminaire input power: 19 W
 Luminaire luminous flux: 2792 lm
 Luminaire efficacy: 147 lm/W
 Weight: 3.83 kg
 Scx: 0.028 m²



TLG_ISLC_F_XS_ZU_SR.jpg



TLG_ISLC_M_XSMTP60.wmf

This product contains a light source of energy efficiency class D.

All values marked with an * are rated values. Thorn uses tried and tested components from leading suppliers, however there may be isolated instances of technology-related failures of individual LEDs during the rated product lifetime. International standards set the tolerance in initial flux and connected load at ±10%. Unless stated otherwise, the values apply to an ambient temperature of 25°C.

Thorn Lighting is constantly developing and improving its products. The right is reserved to change specifications without prior notification or public announcement.
 © Thorn Lighting