

92945456 IS XS 12L70-730 ENR M CLO BP3550 ZU ->

ISO 9223 C5			IP66		IK08			650°C		T <sub>a</sub> -35 +45
----------------	--	--	------	--	------	--	--	-------	--	---------------------------

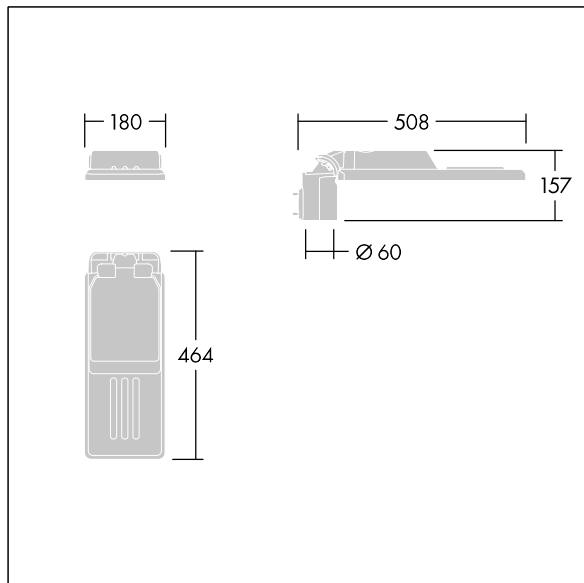
Isaro

A discrete and flexible road and street lantern with durable high performance. Programmable LED driver, set for constant light output, driving 12 LEDs at 700mA. Body: extra small size, die-cast aluminium (EN AC-44300), powder coated textured light grey 150 (close to RAL9006). Shaft: light grey 150 (close to RAL9006). Cover: Extra White glass. Fixings: stainless steel with anti-galvanic treatment. Extra Narrow Road optic, with Colour Rendering Index min.: 70, Correlated colour temperature\*: 3000 Kelvin LEDs supplied. Class II electrical, Impact strength: IK08, IP66, T<sub>a</sub> max.: 45°C. Supplied with Ø60mm spigot adaptor pre-fitted for post-top, 5° tilt. Pre-wired with 8m, 1.5mm<sup>2</sup> H07RN-F cable. Fitted with LED optic lining. BPxyzz: Autonomous bi-power reduction (x: hours before midnight, y: hours after midnight, zz: reduction (%)) equipped with Zhaga socket up.

Dimensions: 508 x 180 x 157 mm  
 Luminaire input power: 26.6 W  
 Luminaire luminous flux: 3818 lm  
 Luminaire efficacy: 144 lm/W  
 Weight: 3.83 kg  
 Scx: 0.028 m<sup>2</sup>



TLG\_ISLC\_F\_XS\_ZU\_SR.jpg



TLG\_ISLC\_M\_XSMTP60.wmf

This product contains a light source of energy efficiency class D.

All values marked with an \* are rated values. Thorn uses tried and tested components from leading suppliers, however there may be isolated instances of technology-related failures of individual LEDs during the rated product lifetime. International standards set the tolerance in initial flux and connected load at ±10%. Unless stated otherwise, the values apply to an ambient temperature of 25°C.

**Isaro**

**92945456 IS XS 12L70-730 ENR M CLO BP3550 ZU ->**

**THORN**