

92945457 IS S 24L50-730 NR M CLO BP3550 ZU CL2 ->

ISO 9223 C5							650°C	T _a -35 +45
----------------	--	--	--	--	--	--	-------	---------------------------

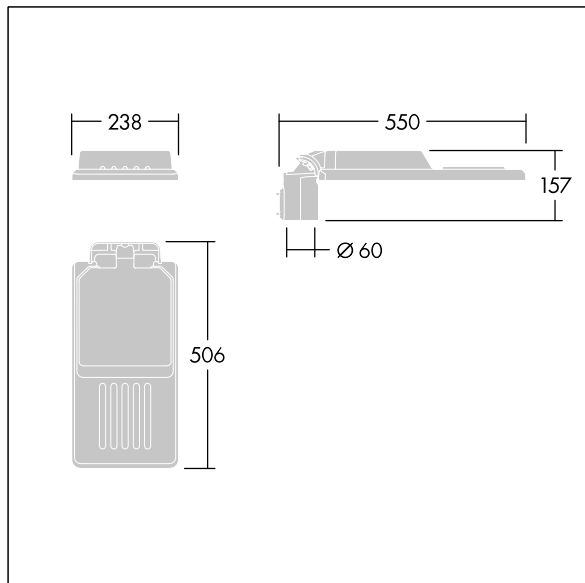
Isaro

A discrete and flexible road and street lantern with durable high performance. Programmable LED driver, set for constant light output, driving 24 LEDs at 500mA. Body: small size, die-cast aluminium (EN AC-44300), powder coated textured light grey 150 (close to RAL9006). Shaft: light grey 150 (close to RAL9006). Cover: Extra White glass. Fixings: stainless steel with anti-galvanic treatment. Medium Road optic, with Colour Rendering Index min.: 70, Correlated colour temperature*: 3000 Kelvin LEDs supplied. Class II electrical, Impact strength: IK08, IP66, T_a max.: 45°C. Supplied with Ø60mm spigot adaptor pre-fitted for post-top, 5° tilt. Pre-wired with 8m, 1.5mm² H07RN-F cable. Fitted with LED optic lining. BPxyzz: Autonomous bi-power reduction (x: hours before midnight, y: hours after midnight, zz: reduction (%)) equipped with Zhaga socket up.

Dimensions: 550 x 238 x 157 mm
 Luminaire input power: 36.5 W
 Luminaire luminous flux: 5761 lm
 Luminaire efficacy: 158 lm/W
 Weight: 4.54 kg
 Scx: 0.041 m²



TLG_ISLC_F_S_ZU_SR.jpg



TLG_ISLC_M_SMTp60.wmf

This product contains a light source of energy efficiency class D.

All values marked with an * are rated values. Thorn uses tried and tested components from leading suppliers, however there may be isolated instances of technology-related failures of individual LEDs during the rated product lifetime. International standards set the tolerance in initial flux and connected load at ±10%. Unless stated otherwise, the values apply to an ambient temperature of 25°C.