

EP 145

96679886 EP 145 LED 24L50 BP NR 727 RS/MTP F5M

ISO 9223	C5	IP66	IK08					
----------	----	------	------	--	--	--	--	--

EP 145

A 19th Century styled post top lantern with 24 LEDs driven at 500mA with Narrow Road optic. Class II electrical, IP66, IK08. Body: stainless steel, painted black (close to RAL9005). Canopy: GRP/Polyester, black (close to RAL9005) finish. Enclosure: 5mm thick tempered glass. Pre-wired with 5m cable. Complete with 2700K LED

Dimensions: 420 x 420 x 767 mm

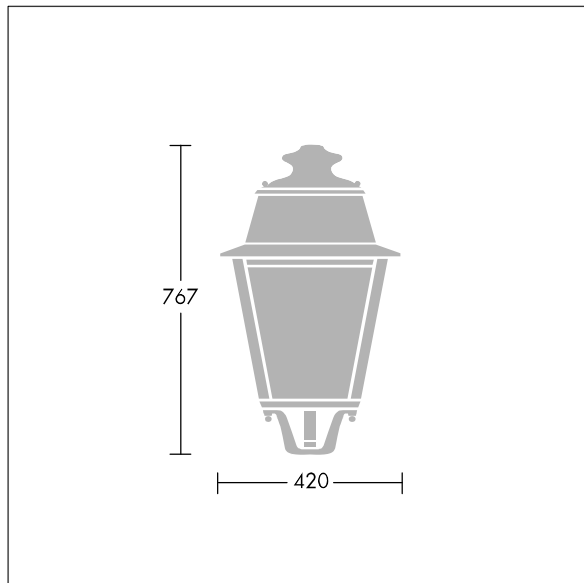
Luminaire input power: 38 W

Weight: 8.6 kg

Scx: 0.145 m²



TLG_EP14_F_LEDMPBLKPDB.jpg



TLG_EPLS_M_LD1.wmf

This product contains a light source of energy efficiency class E.

EP 145

96679886 EP 145 LED 24L50 BP NR 727 RS/MTP F5M

THORN