

# Victoria

# THORN

96681019 VICIA2 60L70-740 NR CL2 N8M R9006



## Victoria

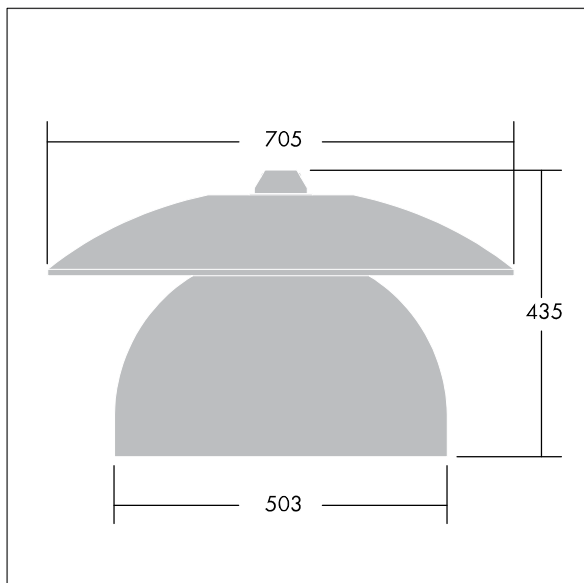
A large size LED street and urban luminaire, in a modern and timeless design. 60 LEDs driven at 700mA with Narrow Road optic. Fixed output LED driver. Class II electrical, IP65. Body in aluminium, powder coated White aluminium RAL9006. Enclosure: toughened flat glass. Luminaire to be suspended using brackets (Ø27G), post top, or wall mounted. Tool-free electrical connection via 2 x 2.5 mm<sup>2</sup> terminal block. Pre-wired with 8m H07-RNF cable. Complete with 4000K LED

Must be used in conjunction with a canopy (see Victoria Canopies section), to be ordered separately.

Dimensions: Ø705 x 435 mm  
Luminaire input power: 134 W  
Weight: 9.33 kg  
Scx: 0.228 m<sup>2</sup>



TLG\_VCTA\_F\_PDB.jpg



TLG\_VCTA\_M\_SWLD2.wmf

This product contains light sources of energy efficiency classes D, F.

All values marked with an \* are rated values. Thorn uses tried and tested components from leading suppliers, however there may be isolated instances of technology-related failures of individual LEDs during the rated product lifetime. International standards set the tolerance in initial flux and connected load at ±10%. Unless stated otherwise, the values apply to an ambient temperature of 25°C.

Thorn Lighting is constantly developing and improving its products. The right is reserved to change specifications without prior notification or public announcement.  
© Thorn Lighting

**Victoria**

**96681019 VICIA2 60L70-740 NR CL2 N8M R9006**

**THORN**