

## Areaflood Pro 2

96635880 AFP2 M 60L70-740 A4 CL2 GY



### Areaflood Pro 2

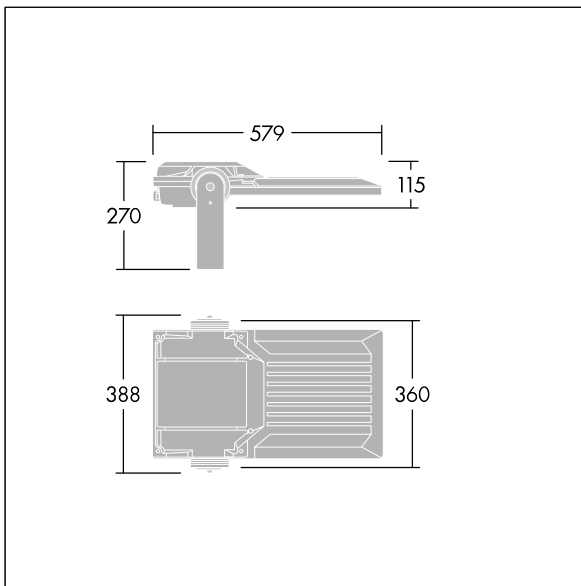
A compact, lightweight, general purpose LED area floodlight. With medium body. LED converter driving 60 LEDs at 700mA with Asymmetrical 40° light distribution. IP66, IK08, Class II electrical. Body: die-cast aluminium (EN AC-44300), Light grey 150 sanded textured (close to RAL9006).. Enclosure: 4mm thick toughened glass. Reversible mounting stirrup supplied, optional spigot adaptors available separately for post top mounting. Complete with 4000K LED.

Integrated 6kV surge protection included as standard, with higher 10kV protection when selected (designated by 'SP' in the description).

Dimensions: 579 x 360 x 115 mm  
 Luminaire input power: 127 W  
 Luminaire luminous flux: 20227 lm  
 Luminaire efficacy: 159 lm/W  
 weight: 9.79 kg  
 Scx: 0.06 m<sup>2</sup>



TLG\_AFP2\_F\_M\_1.jpg



TLG\_AFP2\_M\_M.wmf

This product contains light sources of energy efficiency classes D, E.

All values marked with an \* are rated values. Thorn uses tried and tested components from leading suppliers, however there may be isolated instances of technology-related failures of individual LEDs during the rated product lifetime. International standards set the tolerance in initial flux and connected load at ±10%. Unless stated otherwise, the values apply to an ambient temperature of 25°C.

# Areaflood Pro 2

96635880 AFP2 M 60L70-740 A4 CL2 GY

THORN