



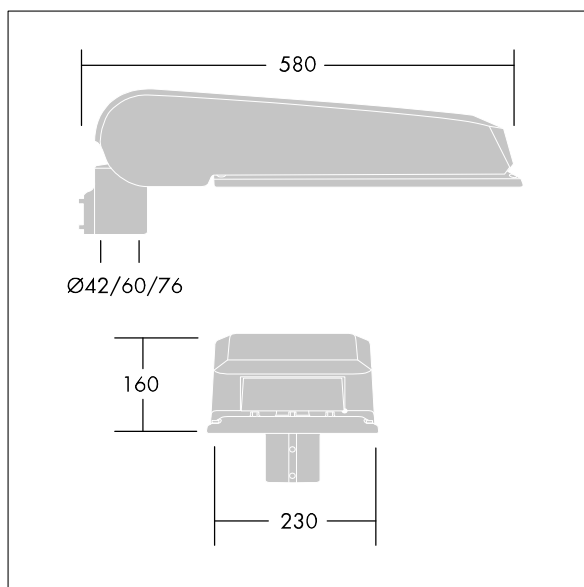
CiviTEQ

A large size LED road lighting lantern with 72 LEDs driven at 350mA with Narrow Road optic. Electronic, fixed output control gear. Class II electrical, IP66, IK08. Housing: die-cast aluminium (EN AC-44300), Light grey 150 sanded textured (close to RAL9006). Enclosure: toughened flat glass. Screws: stainless steel, Ecolubric® treated. Supplied with Ø60mm spigot adaptor which can be fitted for post-top (0°/5°/10° tilt) or side-entry (-20°/-15°/-10°/-5°/0° tilt). BPxyz: Autonomous bi-power reduction (x: hours before midnight, y: hours after midnight, zz: reduction (%)) Complete with 4000K LED. Surge protection: 10kV single pulse common mode and 8kV multipulse common mode and 6kV multipulse differential mode. If permanent DALI system is connected, 6kV multipulse common and differential mode.

Dimensions: 580 x 230 x 160 mm
 Luminaire input power: 73.2 W
 Luminaire luminous flux: 12893 lm
 Luminaire efficacy: 176 lm/W
 Weight: 9.5 kg
 Scx: 0.115 m²



TLG_CTEQ_F_LMTP72LEDPDB.jpg



TLG_CETQ_M_L.wmf

This product contains light sources of energy efficiency class E.