

Voyager Solid

THORN

96637555 VOYAGER SOLID MS ECD WH

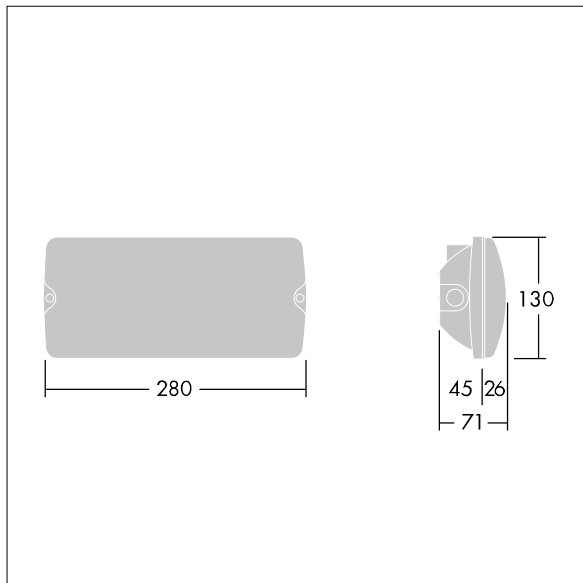
IP65 IK08  T_a-20
+40

Voyager Solid

IP65 LED safety luminaire for surface ceiling mounting; semi-recessed mounting possible with optional mounting frame; luminaire for central emergency power supply, for central luminaire monitoring and addressing via DALI line non-maintained and maintained mode possible; cable length from emergency power source to last luminaire: 300 m; housing made of polycarbonate white; cover made of transparent polycarbonate; tool-less 'click' mounting after fitting the housing base; quick fit terminal block, through wiring possible up to 2,5 mm²; zero maintenance thanks to LED technology; service life of 50,000 h; rated supply voltage: 220/240V; luminaire input power: max. 2.8W; degree of protection: IP65, class of protection: SC2; Impact strength: IK08; Dimensions: 280 x 130 x 71 mm: weight: 0.8 kg.



TLG_VYSO_F_OPS.jpg



TLG_VYSO_M_LDS.wmf

All values marked with an * are rated values. Thorn uses tried and tested components from leading suppliers, however there may be isolated instances of technology-related failures of individual LEDs during the rated product lifetime. International standards set the tolerance in initial flux and connected load at $\pm 10\%$. Unless stated otherwise, the values apply to an ambient temperature of 25°C.

Thorn Lighting is constantly developing and improving its products. The right is reserved to change specifications without prior notification or public announcement.
© Thorn Lighting