

# Voyager Solid

THORN

96637557 VOYAGER SOLID P MS ELP WH

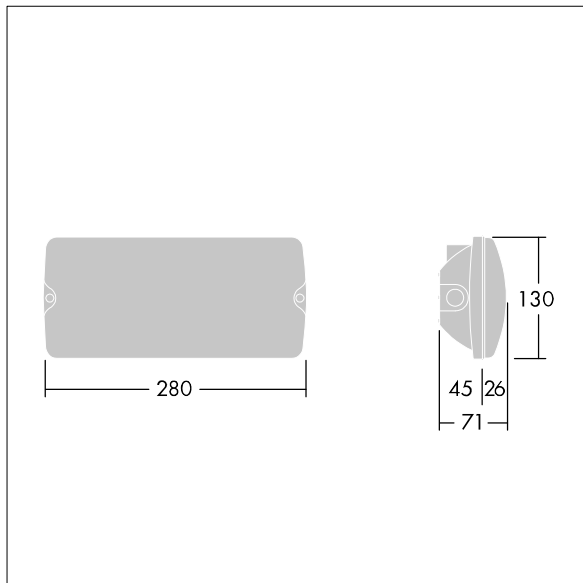
IP65 IK08  T<sub>a</sub>-20  
+40

## Voyager Solid

IP65 LED safety luminaire for surface ceiling mounting; semi-recessed mounting possible with optional mounting frame; luminaire for central emergency power supply, for central luminaire monitoring via powerline in connection with nBox system; settable emergency light level; non-maintained and maintained mode possible; addressing alternatively possible visually or via EZ-addressing; cable length from emergency power source to last luminaire: 200 m; housing made of polycarbonate white; cover made of transparent polycarbonate; tool-less 'click' mounting after fitting the housing base; quick fit terminal block, through wiring possible up to 2,5 mm<sup>2</sup>; zero maintenance thanks to LED technology; service life of 50,000 h; rated supply voltage: 48V DC; luminaire input power: max. 2.5W; degree of protection: IP65, class of protection: SC2; Impact strength: IK08; Dimensions: 280 x 130 x 71 mm: weight: 0.5 kg.



TLG\_VYSO\_F\_OPS.jpg



TLG\_VYSO\_M\_LDS.wmf

All values marked with an \* are rated values. Thorn uses tried and tested components from leading suppliers, however there may be isolated instances of technology-related failures of individual LEDs during the rated product lifetime. International standards set the tolerance in initial flux and connected load at  $\pm 10\%$ . Unless stated otherwise, the values apply to an ambient temperature of 25°C.

Thorn Lighting is constantly developing and improving its products. The right is reserved to change specifications without prior notification or public announcement.  
© Thorn Lighting