


# Voyager Style

THORN

96636584 VOYAGER STYLE 150 P CON ECP WH

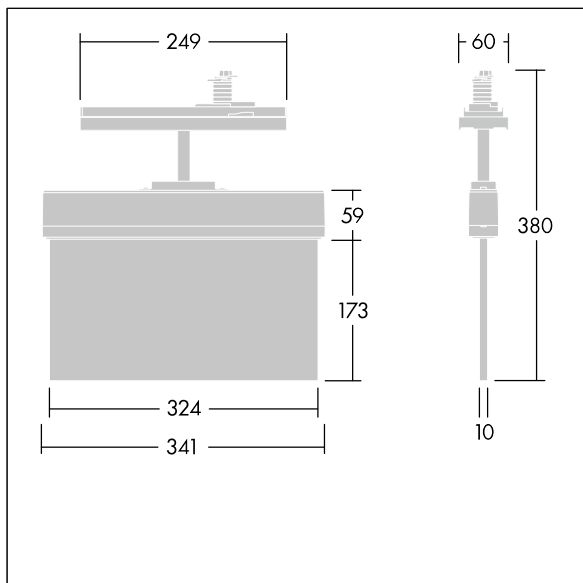
IP20 IK03   $T_{a-10}$   
 $+40$

## Voyager Style

Ultra slim LED escape sign luminaire; Luminaire for central emergency light supply, for single monitoring of the luminaire via Powerline in connection with the eBox System, settable emergency light level; Non-maintained and maintained mode settable via the central battery system; housing made of polycarbonate ; luminaire easy to install; supplied with a set of ISO 7010 mountable direction signs (left, right, up, down and blank) for viewing from a maximum distance of 30 m; mounting of signs with discrete mounting pins; zero maintenance thanks to LED technology; service life of 50,000 h at constant luminous flux; uniform backlighting of pictogram; luminance > 500 cd/m<sup>2</sup> in the white region; Power supply: 220/240 V AC; Luminaire input power: 3.3 W; degree of protection: IP20, class of protection: Class II electrical; Impact strength: Impact strength: IK03; Dimensions: 341 x 37 x 334 mm; weight: 1.16 kg



TLG\_VYST\_F\_150\_UP\_CONTUS.jpg



TLG\_VYST\_M\_150\_CONTUS.wmf

All values marked with an \* are rated values. Unless stated otherwise, the values apply to an ambient temperature of 25°C.

Thorn Lighting is constantly developing and improving its products. The right is reserved to change specifications without prior notification or public announcement.  
© Thorn Lighting