

# Voyager One

THORN

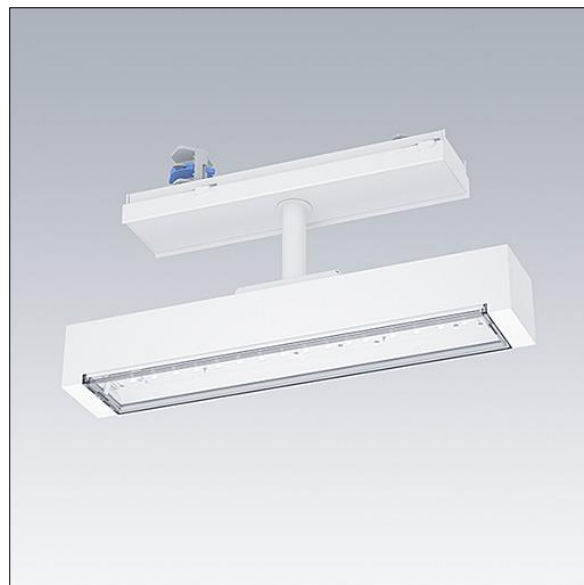
96636590 VOYAGER ONE P CON ANT E3D WH

$T_a$ -5 +30	IP20	IK03			$T_a$ 0 +35
-----------------	------	------	---	---	----------------

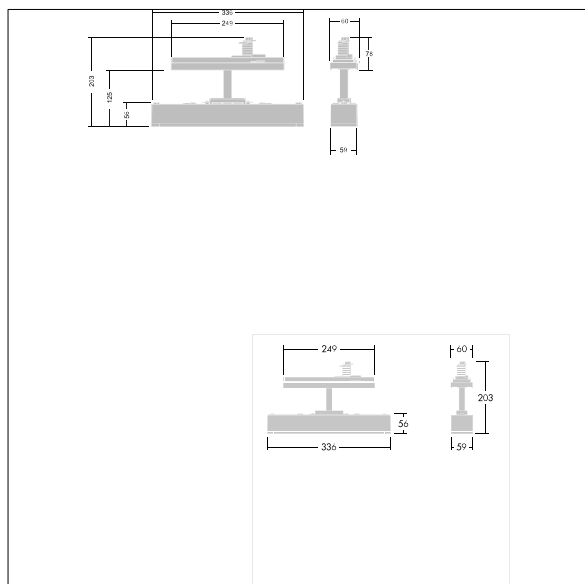
## Voyager One

Slim IP20 LED emergency lighting luminaire; Luminaire with local battery supply for 3 h emergency lighting in maintained or non-maintained mode, with automatic test (auto-test) via the luminaire, optional central monitoring via DALI, display of luminaire status via status LED; Non-maintained and maintained mode settable via jumper and NFC interface; addressing also alternatively possible visually or via EZ-addressing; ; additional click-optics optimised for escape routes and open areas from higher mounting heights available; Click in legends for viewing from a maximum distance of 23 m and 30 m available to convert to escape sign luminaire; housing made of polycarbonate white; cover mode of transparent polycarbonate; Tool-less 'click' mounting; zero maintenance thanks to LED technology; service life of 50,000 h at constant luminous flux; Power supply: 220/240 V AC; Luminaire input power: 4.8 W; IP20; class of protection: SC2; Impact strength: IK03; Dimensions: 336 x 59 x 158 mm; weight: 0.63 kg

Self-contained emergency luminaires rely on long-lasting batteries. Thorn batteries are robust and comes with a three-year guarantee (applicable subject to the terms and conditions of and to the extent as set forth in the manufacturer's guarantee on Thorn products, which shall be applicable analogously and which is available under [http://www.thornlighting.com/en/products/5-year-guarantee/5-year-warranty/terms-of-guarantee\\_en.pdf](http://www.thornlighting.com/en/products/5-year-guarantee/5-year-warranty/terms-of-guarantee_en.pdf). The battery guarantee shall not come into effect if the product has been installed later than three(3) months after delivery EXW (Incoterms 2010).



TLG\_VOYO\_F\_CONTUS.jpg



TLG\_VOYO\_M\_CONTUS.wmf

All values marked with an \* are rated values. Thorn uses tried and tested components from leading suppliers, however there may be isolated instances of technology-related failures of individual LEDs during the rated product lifetime. International standards set the tolerance in initial flux and connected load at  $\pm 10\%$ . Unless stated otherwise, the values apply to an ambient temperature of 25°C.

Thorn Lighting is constantly developing and improving its products. The right is reserved to change specifications without prior notification or public announcement.  
© Thorn Lighting

# Voyager One

96636590 VOYAGER ONE P CON ANT E3D WH

THORN