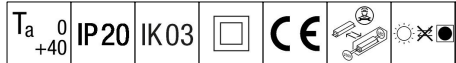


Voyager Blade 2

96636557 VOYAGER BLADE 2 115 CON E1/2/3/8T WH



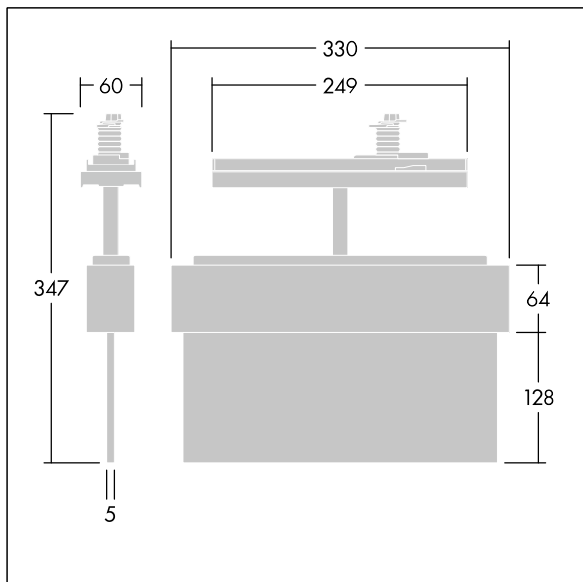
Voyager Blade 2

LED Escape sign luminaire; Self contained luminaire with duration selectable via toggle switch for 1, 2, 3, 8 hours, non-maintained and maintained mode settable via toggle switch. With automatic test (auto-test) via the luminaire, display of luminaire status via status LED; housing made of polycarbonate white (RAL 9016), injection moulded; luminaire easy to install; supplied with a set of ISO 7010 mountable direction signs (left, right, up, down and blank) for viewing from a maximum distance of 23 m; zero maintenance thanks to LED technology; service life of 50,000 h at constant luminous flux; uniform backlighting of pictogram; luminance > 500 cd/m² in the white region. Power supply: 220/240 V AC; Luminaire input power: 6.1 W; degree of protection: IP20, class of protection: Class II electrical; Impact strength: IK03; ambient temperature: 5°C to +40°C dimensions of luminaire including escape sign: Dimensions: 330 x 45 x 340 mm; weight: 1.15 kg

Self-contained emergency luminaires rely on long-lasting batteries. Voyager Blade 2's high-tech battery is robust and comes with a three-year guarantee (applicable subject to the terms and conditions of and to the extent as set forth in the manufacturer's guarantee on Thorn products, which shall be applicable analogously and which is available under http://www.thornlighting.com/en/products/5-year-guarantee/5-year-warranty/terms-of-guarantee_en.pdf. The battery guarantee shall not come into effect if the product has been installed later than three(3) months after delivery EXW (Incoterms 2010).



TLG_VOB2_F_115_DN_CONTUS.jpg



TLG_VOB2_M_115_CONTUS.wmf