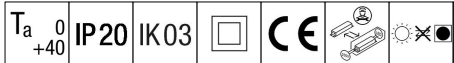


# Voyager Blade 2

THORN

96636561 VOYAGER BLADE 2 115 P CON ECP WH

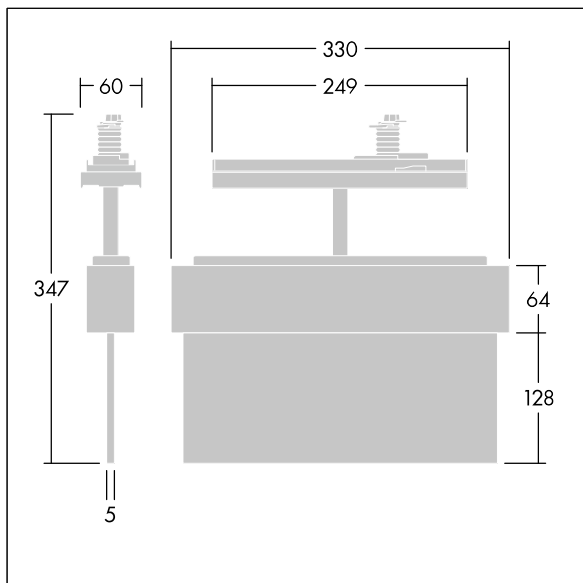


## Voyager Blade 2

LED Escape sign luminaire; Luminaire for central emergency light supply, for single luminaire monitoring via Powerline in connection with the eBox system, addressing and non-maintained/maintained mode setting possible via eBox system, maintained mode as default. , housing made of polycarbonate white (RAL 9016), injection moulded; luminaire easy to install; supplied with a set of ISO 7010 mountable direction signs (left, right, up, down and blank) for viewing from a maximum distance of 23 m; zero maintenance thanks to LED technology; service life of 50,000 h at constant luminous flux; uniform backlighting of pictogram; luminance > 500 cd/m<sup>2</sup> in the white region acc DIN4844. Power supply: 220/240 V AC (+/- 10%) 50/60Hz; 176-280 V DC; Luminaire input power: 3 W; degree of protection: IP20, class of protection: Class II electrical; Impact strength: IK03; ambient temperature: 0°C to +40°C dimensions of luminaire including escape sign: Dimensions: 330 x 45 x 340 mm; weight: 1.05 kg



TLG\_VOB2\_F\_115\_DN\_CONTUS.jpg



TLG\_VOB2\_M\_115\_CONTUS.wmf

All values marked with an \* are rated values. Unless stated otherwise, the values apply to an ambient temperature of 25°C.

Thorn Lighting is constantly developing and improving its products. The right is reserved to change specifications without prior notification or public announcement.  
© Thorn Lighting